

Be Original.

An Expandable Duplex Solution Delivering Twice the Document Power

Productive Operation

- Built-in stackless duplex module efficiently makes two-sided copies
- Maximum 1,850-sheet paper capacity
- Multi bypass tray accommodates heavy paper up to 200 g/m²
- Convenient copy functions: 2-in-1/4-in-1 copying, margin shift, and edge/centre erase
- Productive printing with SPLC (Sharp Printer Language with Compression)
- Button Manager assigns applications such as Microsoft® Word, e-mail, and OCR to Scan Menu buttons

Advanced Functionality

- 100-sheet RSPF automatically feeds in documents (option)
- PCL 6 emulation and PostScript® 3™ emulation (option)
- Full-colour network scanning with multiple scan destinations, such as e-mail, desktop, FTP server, and USB drive (option)
- Sharpdesk Mobile print/scan application* enables scanned documents to be saved to a mobile device, or files on that device to be printed (option)

Enhanced Usability

- ID Card Copy function with dedicated key enables easy copying of both sides of a card onto a single page
- Rotation Sort function rotates every other copy by 90 degrees for easy retrieval
- Easy-to-use control panel with LCD
- Red and green LED lamps light up to notify users of machine/job status
- Easy-grip handles enable easy opening/closing of paper drawers
- Energy-efficient Auto Power Shut-off mode

* Availability varies by country/region. Requires a third-party wireless LAN router in addition to optional Sharp equipment.



SPECIFICATIONS

General

Type	Desktop
Engine speed	A4 (8 1/2" x 11")*1: Max. 24 ppm A3 (11" x 17")*: Max. 12 (11) ppm
Control panel display	Custom LCD
Paper size	Max. A3 (11" x 17"), min. A6*2 (5 1/2" x 8 1/2")
Paper capacity (80 g/m ²)	Standard: 350 sheets (250-sheet tray and 100-sheet multi-bypass tray) Maximum: 1,850 sheets (350 sheets & optional 500-sheet tray x 3)
Paper weight	Tray: 55 g/m ² to 105 g/m ² (13 lbs bond to 28 lbs bond) Multi-bypass tray: 55 g/m ² to 200 g/m ² (13 lbs bond to 110 lbs index)
Warm-up time*3	25 sec.
Memory	Standard: 64 MB Maximum: 448 MB*4
Power requirements	Rated local AC voltage ±10%, 50/60 Hz
Power consumption	Max. 1.2 kW
Dimensions (W x D x H)*5	599 x 612 x 511 mm (23 19/32" x 24 7/64" x 20 1/8")
Weight (approx.)*5	29 kg (64.0 lbs)

Copier

Original paper size	Max. A3 (11" x 17")
First copy time*6	A4: 6.4 seconds 8 1/2" x 11": 6.5 seconds
Continuous copy	Max. 999 copies
Resolution	600 x 600 dpi
Gradation	256 levels
Zoom range	25% to 400% (50% to 200% using RSPF) in 1% increments
Pre-set copy ratios*7	Metric: 10 ratios (5R/5E), inch: 10 ratios (5R/5E)

Scanner

Resolution	Push scan: 75, 100, 150, 200, 300, 400, 600 dpi Pull scan: 75, 100, 150, 200, 300, 400, 600 dpi; 50 dpi to 9,600 dpi via user setting*8
File formats	TIFF, PDF, JPEG*9, BMP*10
Scan destinations	Scan to e-mail*11/desktop*12/FTP server*11/USB drive*11

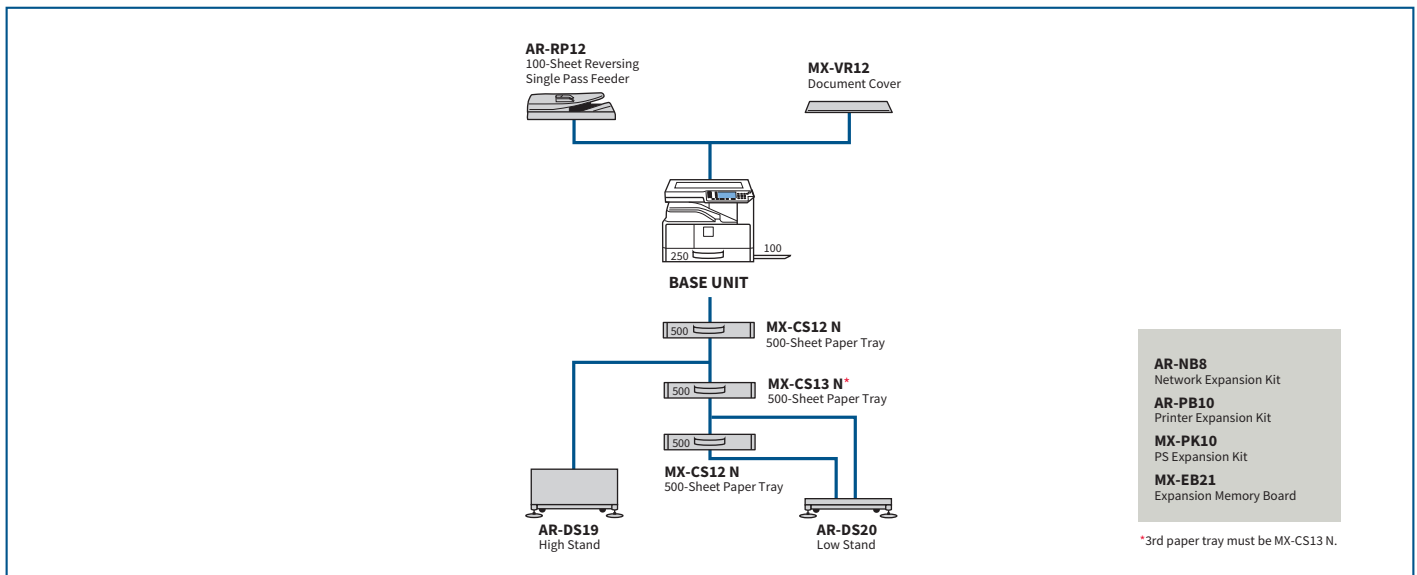
Printer

Resolution	600 x 600 dpi
Interface	USB 2.0 (host, high-speed), 10Base-T*11/100Base-TX*11
Supported OS*13	Windows Server® 2012, Windows Server® 2012 R2, Windows Server® 2016, Windows Server® 2019, Windows® 8.1, Windows® 10, Mac OS 10.9, 10.10, 10.11, 10.12, 10.13, 10.14, 10.15
Network protocols*11	TCP/IP
PDL	SPLC (Sharp Printer Language with Compression), PCL 6 emulation*14, PostScript® 3™ emulation*15
Available fonts	80 fonts for PCL*14, 136 fonts for PostScript 3 emulation*15

*1: Long-edge feeding. *2: Short-edge feeding only. *3: In a standard measurement environment. May vary depending on operating conditions and environment. *4: 128 MB memory provided by optional MX-EB21 and 256 MB by optional AR-NB8. *5: Including document cover. *6: Long-edge feeding from 1st paper tray. May vary depending on operating conditions and environment. *7: Pre-set copy ratios of 25% and 400% cannot be used with RSPF. *8: Resolution will vary depending on the size of the scanned area. *9: Colour/greyscale only. *10: Available only with Button Manager. *11: Requires optional AR-NB8. *12: Requires Button Manager. However, if installing AR-NB8, requires Network Scanner Tool Lite (instead of Button Manager). *13: Windows Server requires optional AR-NB8 and AR-PB10; Mac OS requires optional AR-NB8, AR-PB10, and MX-PK10. *14: Requires optional AR-NB8 and AR-PB10. *15: Requires optional AR-NB8, AR-PB10, and MX-PK10.

• Design and specifications are subject to change without prior notice.
• Microsoft, Windows, and Windows Server are registered trademarks of Microsoft Corporation in the US and/or other countries. PCL is a registered trademark of Hewlett-Packard Company. PostScript 3 is either a registered trademark or trademark of Adobe Systems Incorporated in the US and/or other countries. Mac is a trademark of Apple Inc., registered in the US and other countries. All other brand names and product names may be trademarks or registered trademarks of their respective owners.

SYSTEM CONFIGURATION



Certain optional equipment may not be available in some areas.

Distributed by: